

QAV-PRO CINEMA CAMERA MOUNT

PROFESSIONAL EQUIPMENT FOR CINEMATIC FPV



PRODUCT MANUAL


CINEQUADS

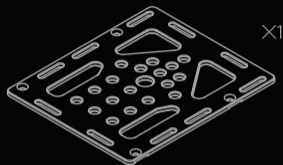
×


Lumenier

TABLE OF CONTENTS

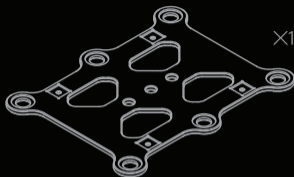
- STEP # 1 GROUND PLATE PRE-ASSEMBLY
- STEP # 2 CAMERA PLATE PRE-ASSEMBLY
- STEP # 3 CAMERA MOUNT ASSEMBLY
- STEP # 4 CHOOSING TILT PLATES
- STEP # 5 CAMERA MOUNT CONFIGURATION
- STEP # 6 HARD MOUNTED / SOFT MOUNTED CAMERA

PARTS NEEDED FOR THIS ASSEMBLY



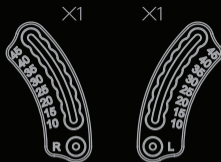
X1

CAMERA PLATE



X1

GROUND PLATE



X1

X1

LARGE TILT PLATES
RIGHT / LEFT



X1

X1

SHORT TILT PLATES
RIGHT / LEFT



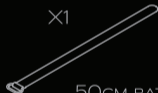
X12

M3
THUMB NUT



X12

UNIVERSAL
ALUMINUM
WASHER



X1

50CM BATTERY
STRAP



X8

ALUMINUM
BRICK



X8

M3
CARBON FIBER
WASHER



X8

M3x6MM
SCREWS



X2

M3x18MM
SCREWS



X4

M3x25MM
SCREWS



X6

M3x30MM
SCREWS

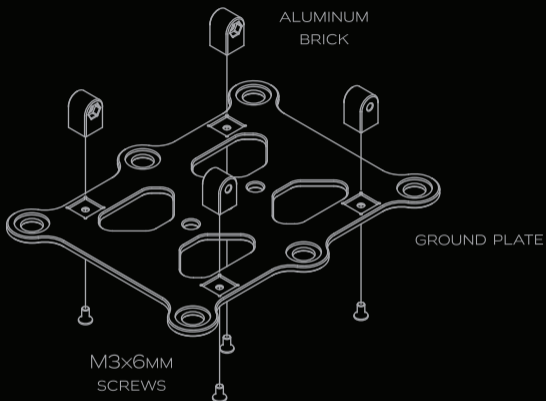


X6

ALPHA GEL
NOT
INCLUDED

GROUND PLATE PRE-ASSEMBLY

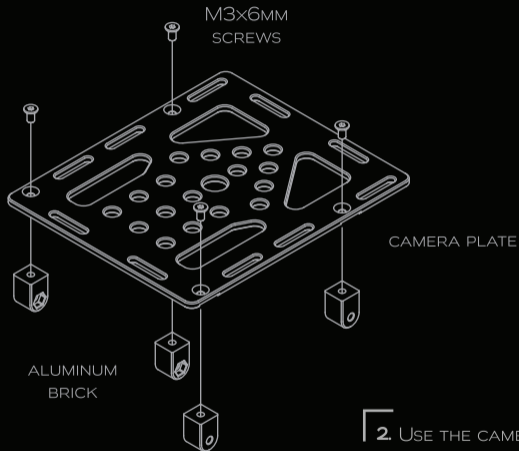
1



1. START THE ASSEMBLY BY USING THE GROUND PLATE TO INSTALL THE ALUMINUM BRICKS WITH THE RIGHT ORIENTATION AND THE M3x6MM SCREWS.

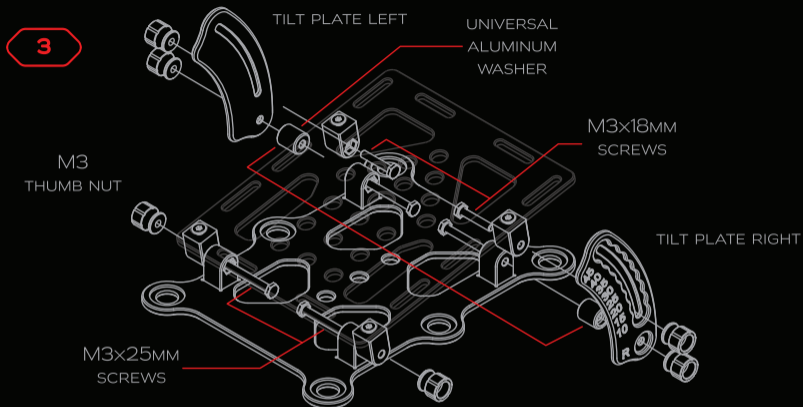
CAMERA PLATE PRE-ASSEMBLY

2



2. USE THE CAMERA PLATE TO INSTALL THE ALUMINUM BRICKS WITH THE RIGHT ORIENTATION AND THE M3x6MM SCREWS.

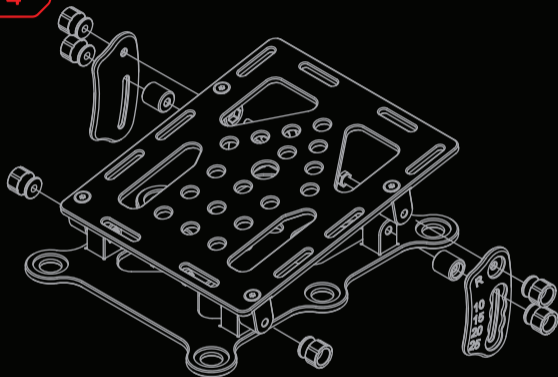
CAMERA MOUNT ASSEMBLY



3. USE THE PREVIOUS ASSEMBLIES TO COMPLETE THE STRUCTURE. ASSEMBLE THE BOTTOM HINGES USING THE M3x25MM HEX HEAD SCREWS AND THE M3x18MM FOR THE TOP ALUMINUM BRICKS. FINISH THIS MOUNT WITH THE FRONT ALUMINUM WASHERS, THE SIDE TILT PLATES AND TIGHT EVERYTHING WITH THE M3 THUMB NUTS.

CHOOSING TILT PLATES

4



USE LARGE TILT PLATES
FOR BOX CAMERAS

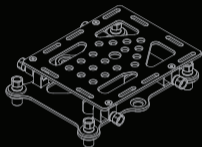


USE SHORT TILT PLATES
FOR DSLR CAMERAS

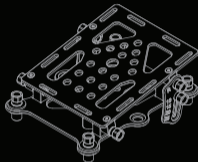
4. CHOOSE THE SIDE PLATES ACCORDING TO THE TYPE OF CAMERA YOU ARE GOING TO USE, TWO SETS OF PLATES ARE INCLUDED: LONG PLATES FOR "BOX TYPE" CAMERAS AND SHORT PLATES FOR DSLR CAMERAS

CAMERA MOUNT CONFIGURATION

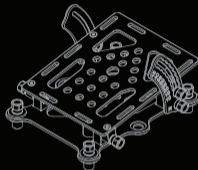
5



ZERO DEGREE TILT
(NO PLATES)



SHORT TILT PLATES
10-25 DEGREES OF
MOTION



LARGE TILT PLATES
10-45 DEGREES OF
MOTION

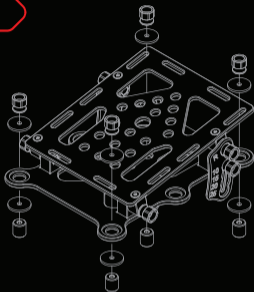


GROUND PLATE ONLY
(GIMBAL MOUNT TILTA
MOUNTING PATTERN)

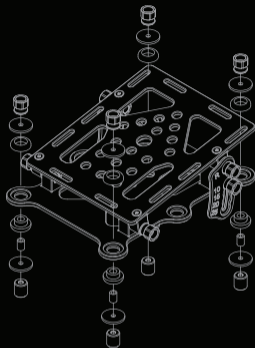


HARD MOUNTED / SOFT MOUNTED CAMERA

6



HARD MOUNTED CAMERA
WITHOUT ALPHAGEL



HARD MOUNTED CAMERA
WITH ALPHAGEL