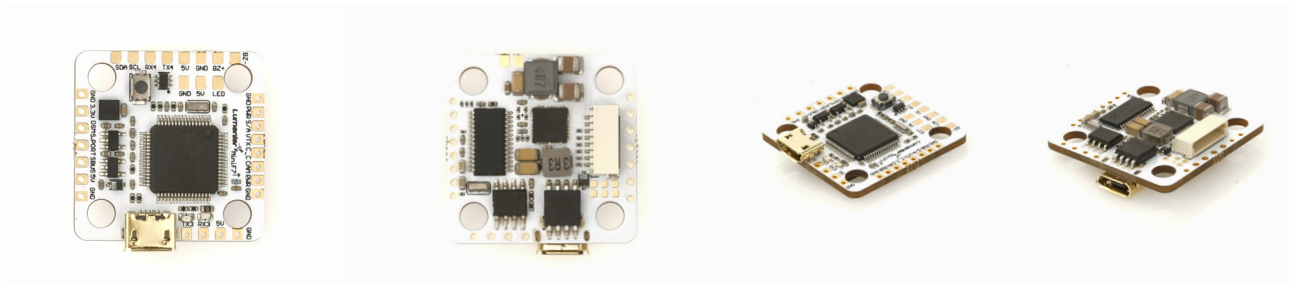




FLIGHT CONTROLLER LUX Mini-F7



F722 / 5VBEC / Camera control / VTX Power Control / 6x UART

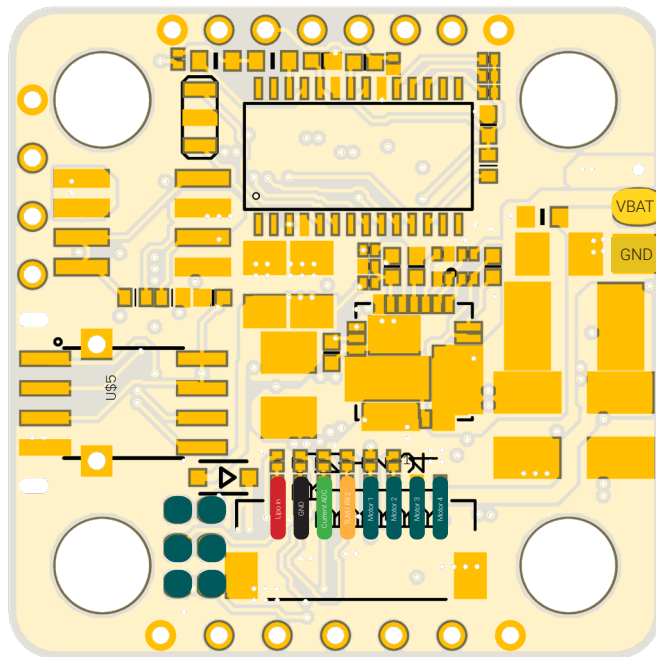
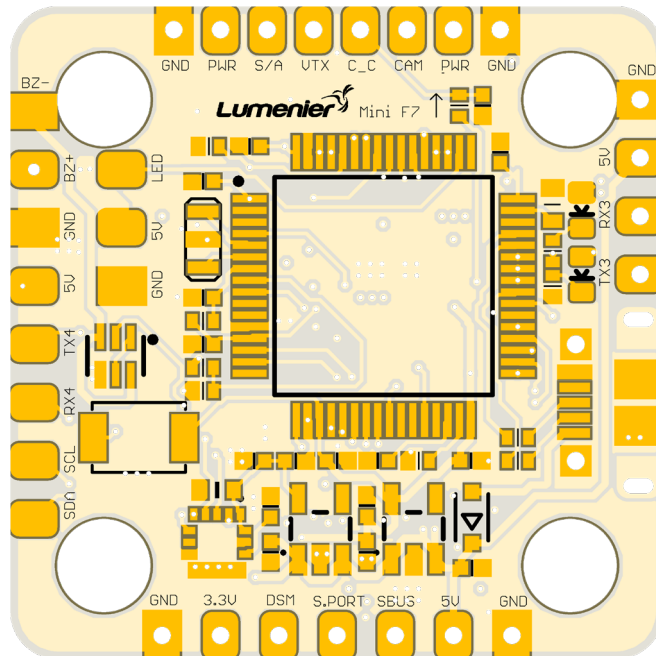
MCU: 216MHz STM32F722RET6
 IMU: ICM20602
 OSD: AB7456
 UARTs: 6
 PWM output: 4
 I2C: 1

VBAT input: 8-40V, 3-8S Lipo
 BEC: 5V 3A
 Blackbox: 128Mbit / 16MByte
 VTX Power Control
 Smartaudio / Tramp VTX Control
 Camera Control
 LC Filter
 Beeper
 WS2812b LED Strip

Resources:

Function	Solder Pad Silk screen	Resources	MCU Pin	Notes
SBUS	SBUS	RX 1	PA10	
DSM2	DSM	TX 1	PA9	CLI serialrx_halfduplex set to ON
Smart Audio VTX	S/A	TX	PC12	
Smartport/F.port	S.PORT	UART 6	PC6/7	UART 6 TX only
ESC Telemetry	TLM	RX 2	PA3	
Camera Control	C_C		PA8	
SDA	SDA	I2C1_SDA	PB9	Pull-up needed
SCL	SCL	I2C1_SCL	PB8	Pull-up needed
GPS	RX4/TX4	UART 4	PA0/1	
WS2812B LED	LED		PA15	
Buzzer	Bz-/Bz+		PC5	
VTX Switch			PB1	

Layout / Pinmap



Filtered VBAT power output

