



Lumenier LUX HD AIO G4 FC + 35A AM32 3-6S ESC

STM32G473 / 5VBEC / 10VBEC / DJI FC Port / 4x UART

MCU: STM32G473 / 170Mhz / 512KB Flash
IMU: ICM-42688
UARTs: 4
PWM output: 4
I2C: 1

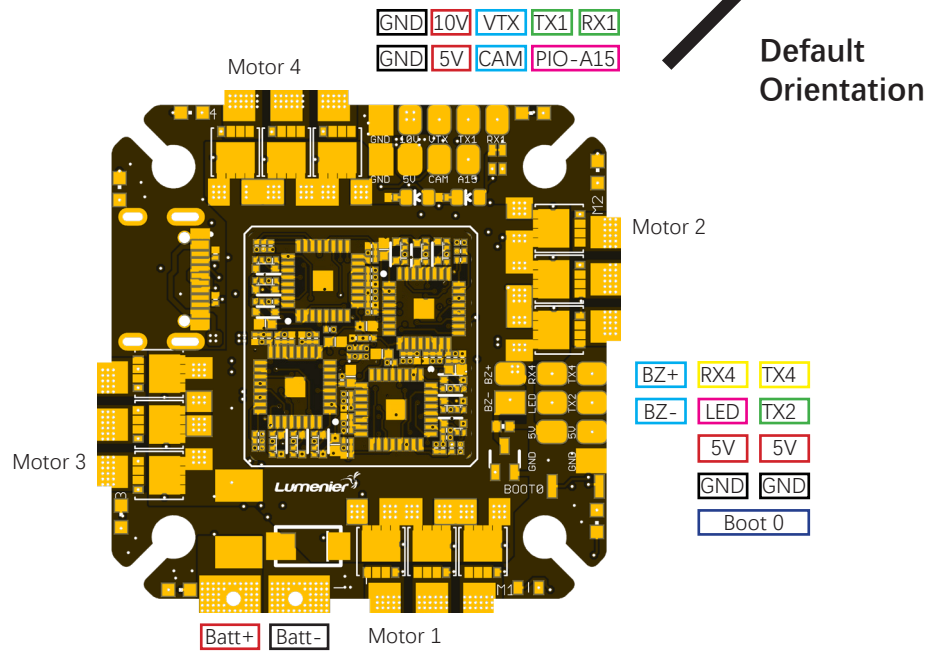
VBAT input: 8-32V, 3-6S Lipo
BEC: 5V 3A / 10V 2A
Blackbox: 128Mbit / 16MByte
Beeper
WS2812b LED Strip

Resources:

Function	Solder Pad Silk screen	Resources	MCU Pin	Notes
SBUS	TX 2	TX 2	PB3	set serialrx_halfduplex=on
SDA	SDA	I2C1_SDA	PA14	Pull-up onboard
SCL	SCL	I2C1_SCL	PA13	Pull-up onboard
GPS	RX4/TX4	UART 4	PC10/11	
WS2812B LED	LED		PB6	
Buzzer	Bz-/Bz+		PB7	

Layout / Pinmap

Top



Bottom

