

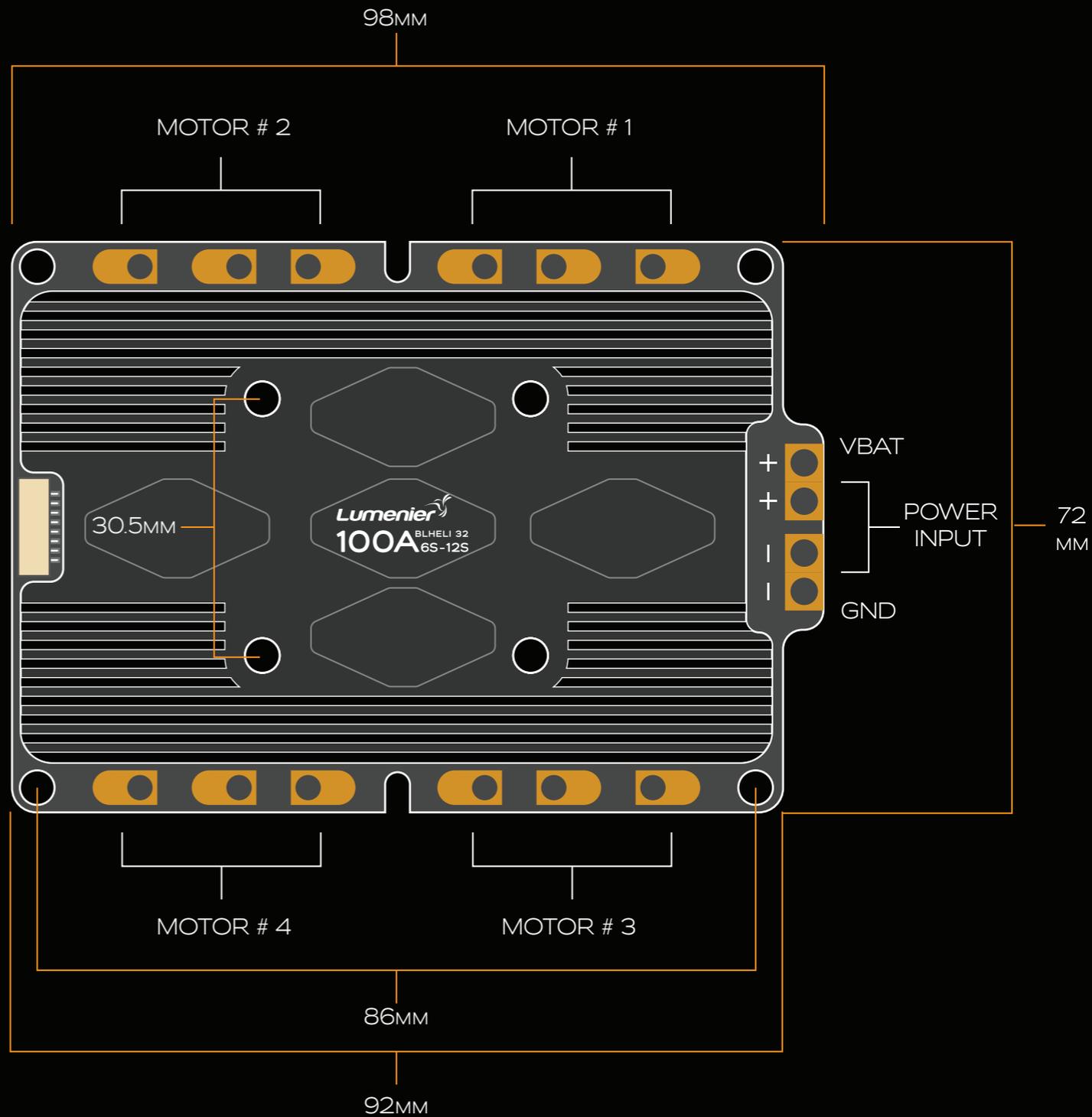
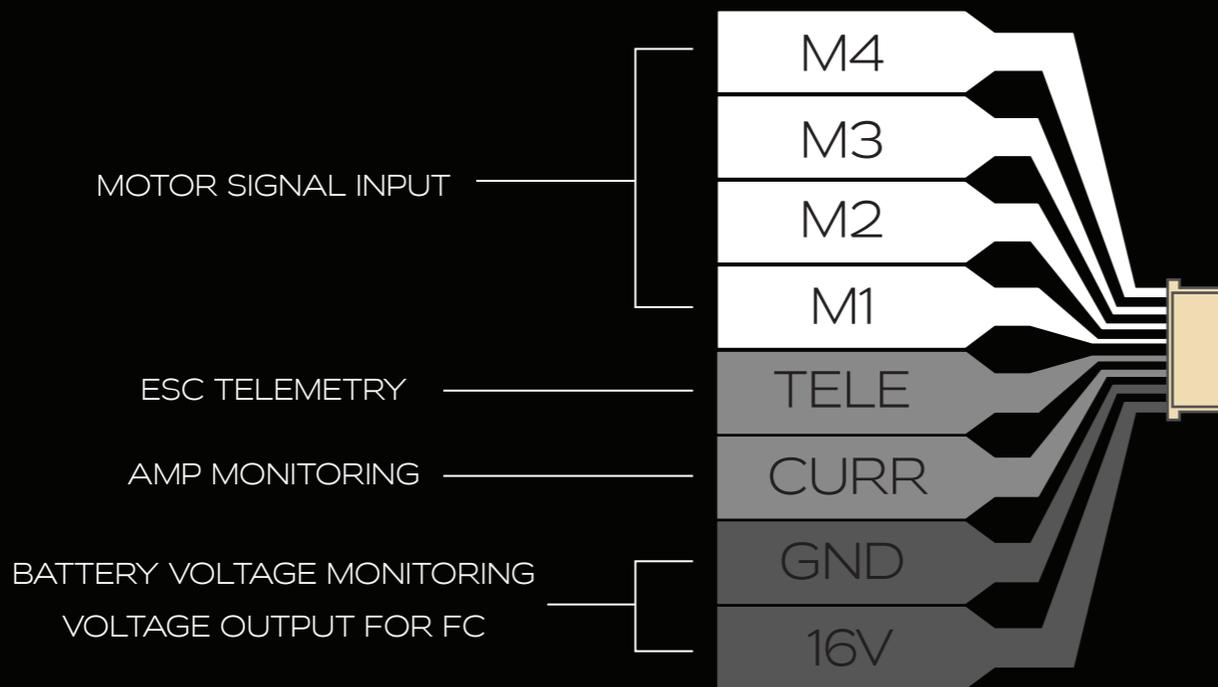
Lumenier 

ELITE PRO

100A V2 6S - 12S 4-IN-1 BLHELI 32

PRODUCT MANUAL

WIRING DIAGRAM





ELITE PRO

SPECIFICATIONS

AMP CONSTANT CURRENT	100 AMPS
AMP PEAK CURRENT	120 AMPS
BATTERY	6-12S
PROCESSOR	CORTEX M4 32 BIT 120MHZ
PWM FREQUENCY	PWM 8-48kHz
WEIGHT	113 GRAMS
SIZE	97MMx72MMx15MM
MOUNTING PATTERN	30.5MM x 30.5MM / 86MM x 66MM
FW SUPPORT	Dshot300 / Dshot600 / Dshot1200 / MULTISHOT / ONESHOT / PPM

FEATURES

1. OPTIMIZED BLHEL-32 FIRMWARE FOR 12S HIGH VOLTAGE USE
2. BRAND-NEW CORTEX M4 32 BIT PROCESSOR RUNNING 120MHZ FREQUENCY
3. SUPERB PCB CIRCUIT DESIGN AND 8OZ THICK COOPER TO SUPPORT BIG CURRENT CAPABILITY
4. PCB ONE SIDE MOSFET DESIGN REDUCES NOISE AND ITS OPTIMIZED FOR HEAT DISSIPATION
5. HIGH VOLTAGE LOW RESISTANCE MOSFET: 100V, 1.5MΩ
6. THE LUMENIER ELITE PRO ESC SUPPORTS DSHOT300, DSHOT600, DSHOT1200, MULTISHOT, ONESHOT AND PPM
7. SUPPORTS PWM 8-48KHZ AT A VERY HIGH DEMAG COMPENSATION